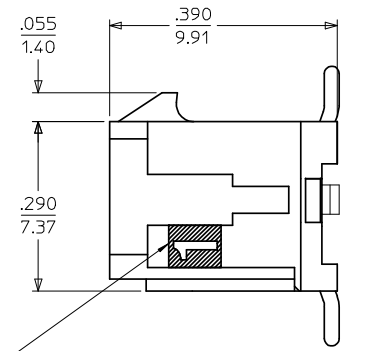
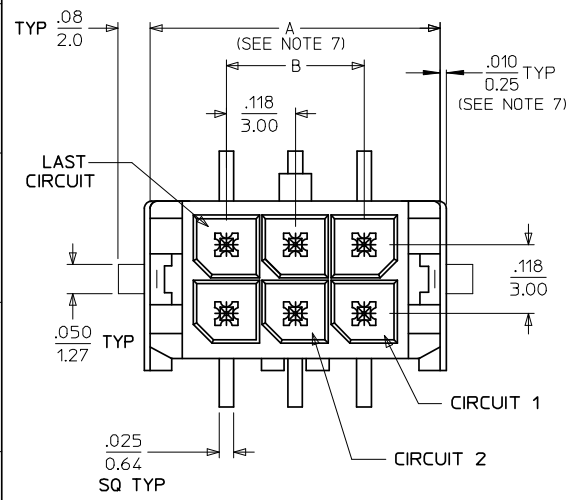
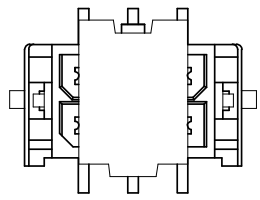
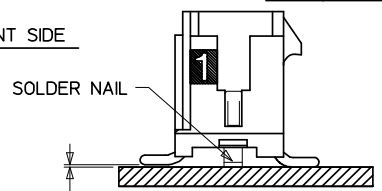


| CKTS | A (SEE NOTE 7) | | |
|------|----------------|----------------|----------------|
| | B | C | |
| 02 | .262 6.65 | NA | .441 11.20 |
| 04 | .380 9.65 | .118 3.00 | .559 14.20 |
| 06 | .498 12.65 | .236 6.00 | .677 17.20 |
| 08 | .616 15.65 | .354 9.00 | .795 20.20 |
| 10 | .734 18.65 | .472 12.00 | .913 23.20 |
| 12 | .852 21.65 | .591 15.00 | 1.031 26.20 |
| 14 | .970 24.65 | .709 18.00 | 1.150 29.20 |
| 16 | 1.088 27.65 | .827 21.00 | 1.268 32.20 |
| 18 | 1.206 30.65 | .945 24.00 | 1.386 35.20 |
| 20 | 1.325 33.65 | 1.063 27.00 | 1.504 38.20 |
| 22 | 1.443 36.65 | 1.181 30.00 | 1.622 41.20 |
| 24 | 1.561 39.65 | 1.299 33.00 | 1.740 44.20 |



PCB LAYOUT: COMPONENT SIDE



NOTES:

- HOUSING MATERIAL: GLASS FILLED LIQUID CRYSTAL POLYMER UL94V-0, COLOR: BLACK
TERMINAL MATERIAL: BRASS ALLOY
- FINISH: A = .000100/(0.00254) MIN. TIN OVER .000050/(0.00127) MIN. NICKEL PLATE.
B = .000015/(0.00038) MIN. SELECT GOLD IN CONTACT AREA, .000100/(0.00254) MIN. SELECT MATTE TIN ON SOLDER TAILS, BOTH OVER .000050/(0.00127) MIN. NICKEL PLATE.
C = .000030/(0.00076) MIN. SELECT GOLD IN CONTACT AREA, .000100/(0.00254) MIN. SELECT MATTE TIN ON SOLDER TAILS, BOTH OVER .000050/(0.00127) MIN. NICKEL PLATE.
* THE PRIMARY SHIPPING CARTON WILL BE LABELED "COMPLIANT TO RoHS DIRECTIVE 2002/95/EC AND ELV ANNEX II OF DIRECTIVE 2000/53/EC." CARTONS WITHOUT THIS LABEL MAY CONTAIN PRODUCT WITH TIN/LEAD IN THE PC TAIL AREA.
- PRODUCT SPECIFICATION: PS-43045
- TAPE AND REEL PACK : SEE MOLEX DRAWING PK-70873-05**
- MATES WITH MICRO FIT (3.0) RECEPTACLE SERIES 43025
- THE COPLANARITY DIMENSION IS ESTABLISHED BY PLACING THE ASSEMBLY ON A FLAT SURFACE. THE DISTANCE FROM THAT SURFACE TO THE BOTTOM OF ANY TERMINAL OR SOLDER NAIL MUST NOT EXCEED .006/0.15
- .010/0.25 OFFSETS ARE PRESENT ON ALL PARTS MANUFACTURED AFTER 11/1/2007, AND ON PARTS PRIOR TO 11/1/2007 THAT CONTAIN A GREEN DOT ON THE PRIMARY SHIPPING CARTON LABEL.
- THIS PART CONFORMS TO CLASS B REQUIREMENTS OF COSMETIC SPECIFICATION PS-45499-002.

| | FINISH A | FINISH B | FINISH C |
|------|--------------|--------------|--------------|
| CKTS | MATERIAL NO: | MATERIAL NO: | MATERIAL NO: |
| 02 | 43045-0218 | 43045-0219 | 43045-0220 |
| 04 | 43045-0418 | 43045-0419 | 43045-0420 |
| 06 | 43045-0618 | 43045-0619 | 43045-0620 |
| 08 | 43045-0818 | 43045-0819 | 43045-0820 |
| 10 | 43045-1018 | 43045-1019 | 43045-1020 |
| 12 | 43045-1218 | 43045-1219 | 43045-1220 |
| 14 | 43045-1418 | 43045-1419 | 43045-1420 |
| 16 | 43045-1618 | 43045-1619 | 43045-1620 |
| 18 | 43045-1818 | 43045-1819 | 43045-1820 |
| 20 | 43045-2018 | 43045-2019 | 43045-2020 |
| 22 | 43045-2218 | 43045-2219 | 43045-2220 |
| 24 | 43045-2418 | 43045-2419 | 43045-2420 |

| | | | | | | | |
|---|-------------------------------|---|--|--|---|------------------------------|---------------------|
| REVISION NOTE 7 EC NO: UCP2008-0324 DRAWN: NK/PPER 2007/12/19 CHKD: SS/USEK 2007/12/20 APPR: FSM/LTH 2007/12/21 | QUALITY SYMBOLS ▽=0 ▽=0 | GENERAL TOLERANCES (UNLESS SPECIFIED) mm INCH 4 PLACES ± --- ± --- 3 PLACES ± --- ± .010 2 PLACES ± 0.25 ± .014 1 PLACE ± 0.36 ± --- ANGULAR ± 1/2° | DIMENSION STYLE IN/MM DRAWN BY DATE SAMIEC 2000/03/15 CHECKED BY DATE MUELLER 2000/03/15 APPROVED BY DATE EDGLEY 2000/03/15 | SCALE --- DESIGN UNITS METRIC THIRD ANGLE PROJECTION | TITLE MICRO FIT (3.0) DUAL ROW VERTICAL SMT HEADER W/NAILS ASS'Y MOLEX MOLEX INCORPORATED | DOCUMENT NO. SD-43045-007 | SHEET NO. 1 OF 1 |
| | | | | | | | |